

# LED BALLOON LIGHT

**300 WATT**

SD-LBF-300-27TS-W-G1



- ✓ Quick and easy setup.
- ✓ Glare-free lighting for safety and comfort in dark areas.
- ✓ Wide area ground coverage with 360° illumination.
- ✓ Versatile lightweight and compact design.
- ✓ Includes six – 50 watt LED panels rated at 50,000 hour lifetime.
- ✓ Engineered with high quality 150 lumens per watt Osram<sup>TM</sup> LED Chips.
- ✓ Select half-power (22,500 lumens) or full-power (45,000 lumens) to meet your lighting needs.
- ✓ Internal industrial strength blower inflates balloon and cools LED panels.
- ✓ Multiple mounting options including standard tripod; optional rolling cart, vehicle mount or hanging clamp.
- ✓ Included Heavy-Duty tripod extends 7 1/2' with low gear hand crank.
- ✓ LED Balloon cover is constructed of industrial water resistant, UV protected nylon Ripstop material.
- ✓ Includes 16' rugged power cord with two layer strain relief.
- ✓ Operate up to 6 units on one portable 2000 W generator.
- ✓ CE - International Certification.
- ✓ 2 year Factory Warranty free from defects in workmanship and materials.
- ✓ Perfect for illuminating outdoor events, worksites, warehouses and incident response.



45,000 Lm  
150 Lm/W

**ILLUMINATION**

**LUMEN**



**LIGHT**



**MOBILE**



**COLLAPSIBLE**



**FAST INSTALL**



**CONVENIENT**



**INTERNATIONAL  
CERTIFICATION**

# LED BALLOON LIGHT

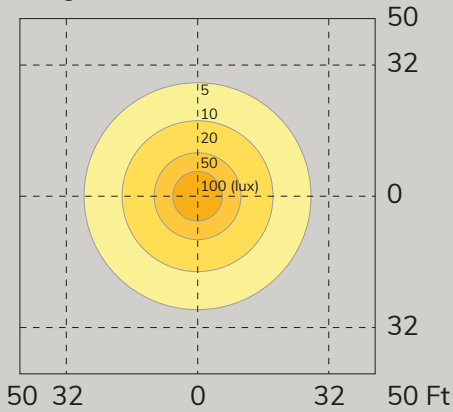
300 WATT

SD-LBF-300-27TS-W-G1

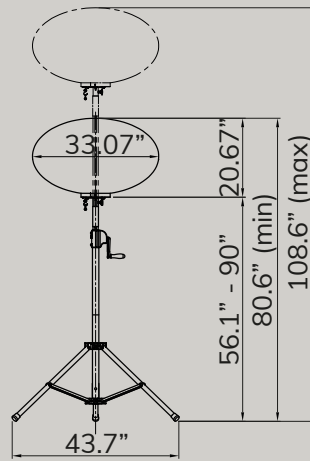


## ILLUMINATION

Height 6.58 Ft



## DIMENSIONS

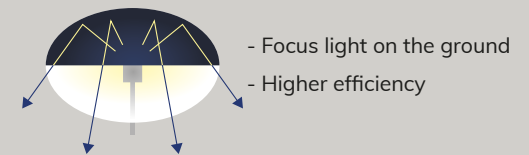


## LIGHT COVER

### Standard Light Cover



### Reflective Light Cover (optional)



## SD-LBF-300-27TS-W-G1 INCLUDES:

- ✓ 300 W SeeDevil™ LED Fixture
- ✓ 2.7 m Tripod
- ✓ Standard Light Cover
- ✓ 2.7 m Tripod Carry Bag
- ✓ LED Fixture Carry Bag

